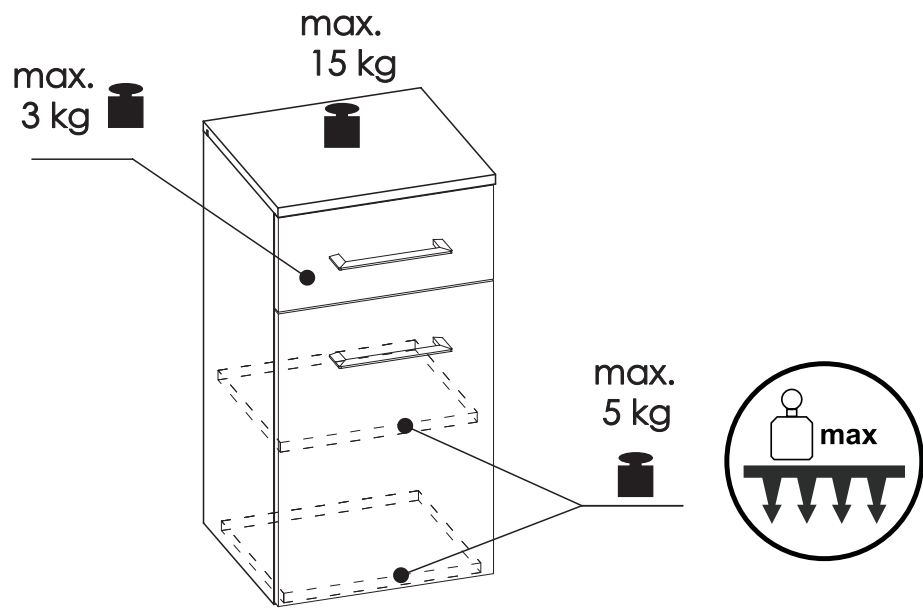
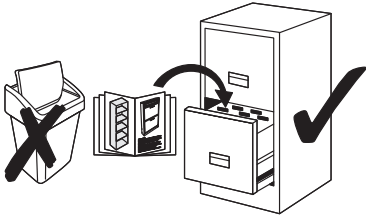
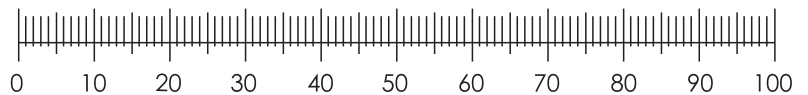
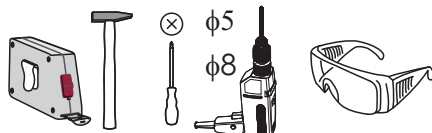
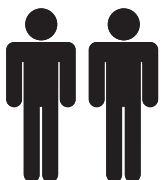
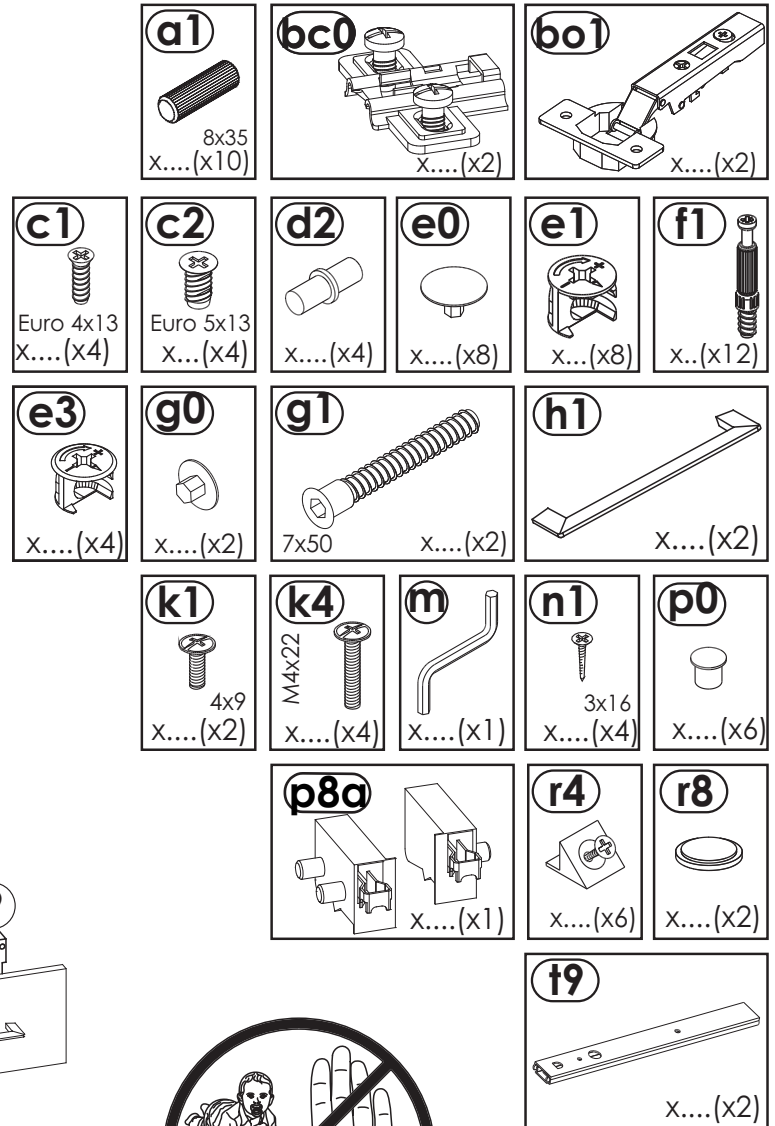
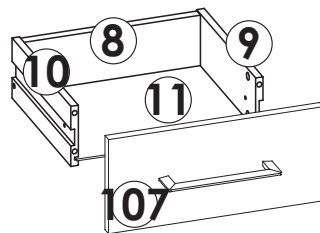
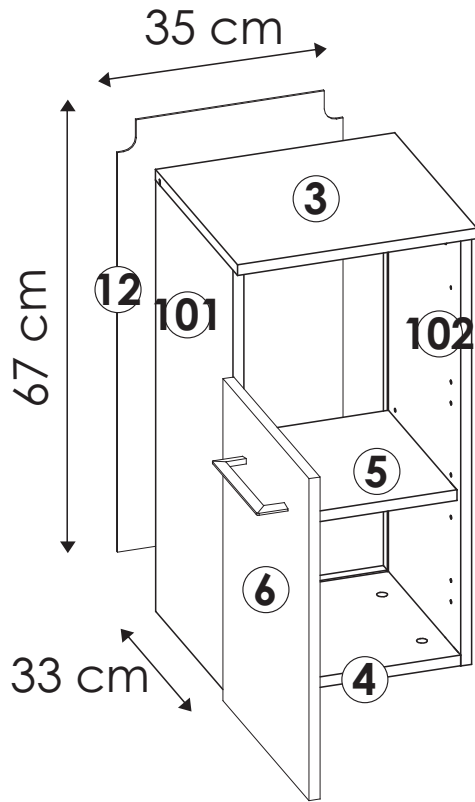
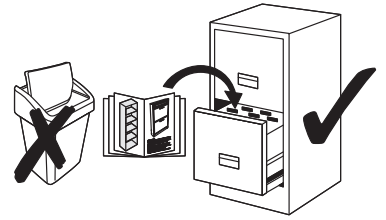
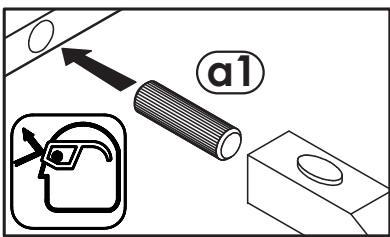
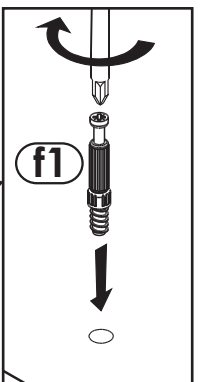
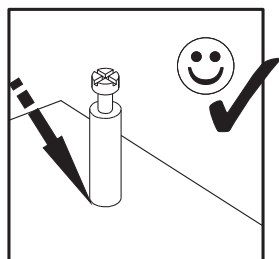
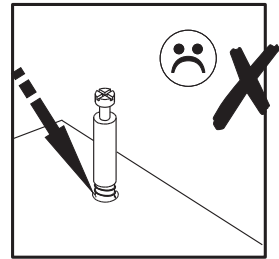
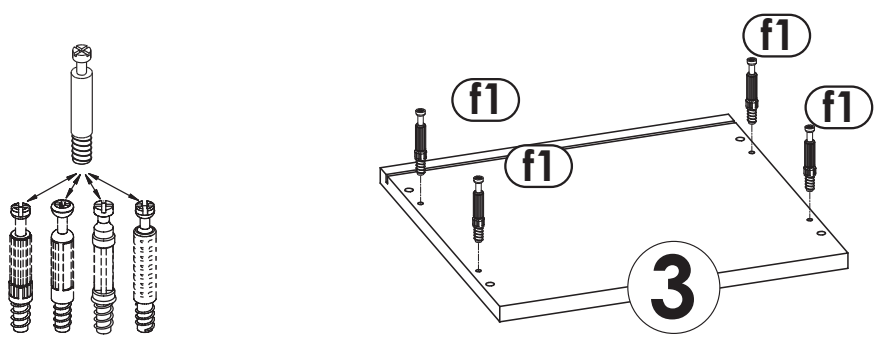
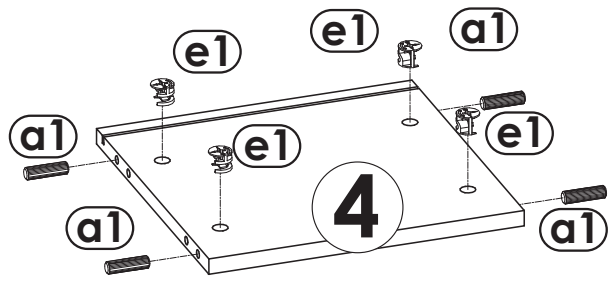
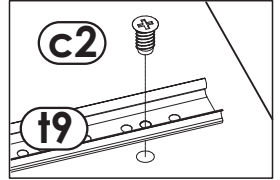
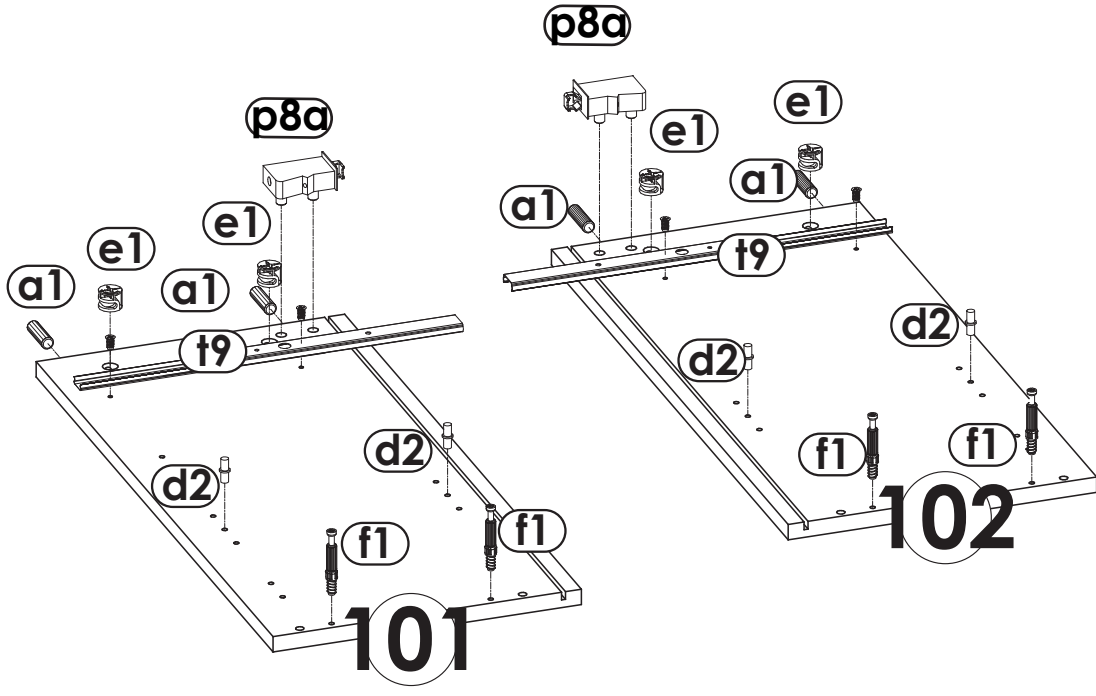
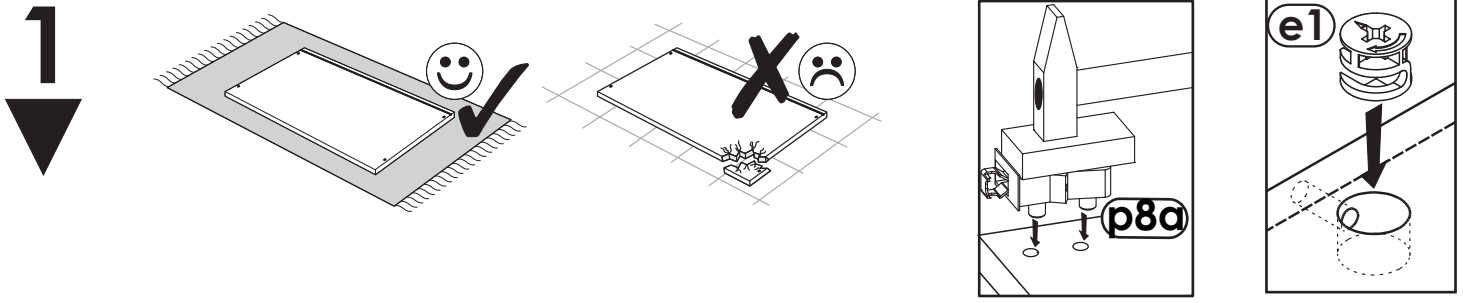


COSMO 1D-1S

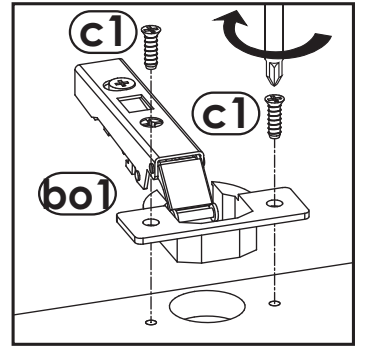
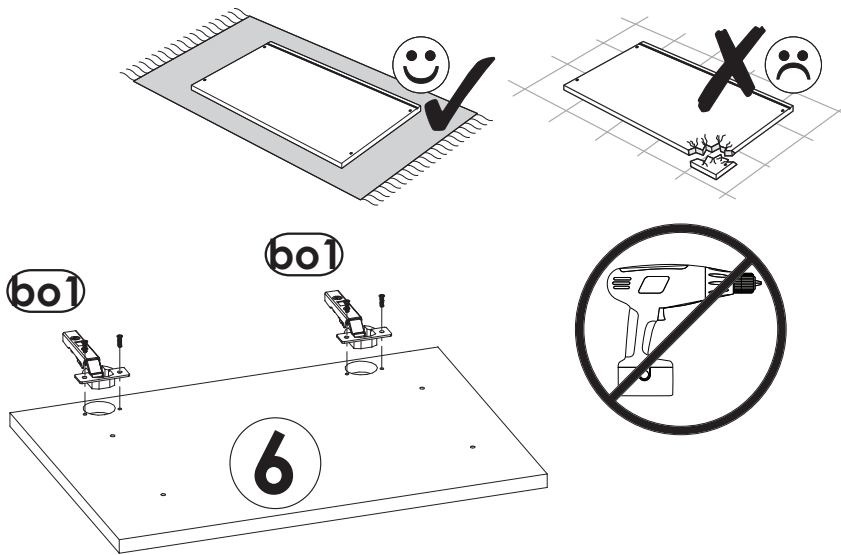


COSMO 1D-1S

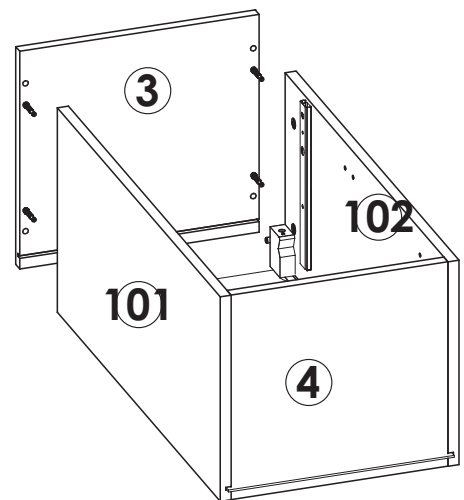
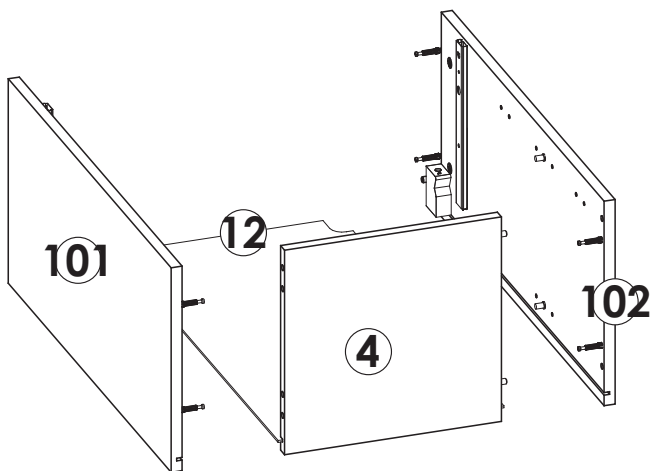
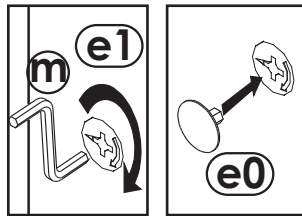
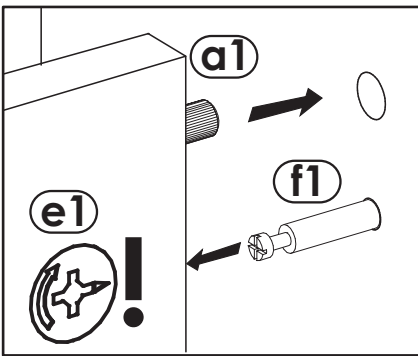
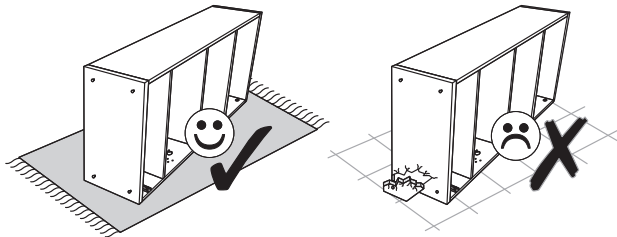




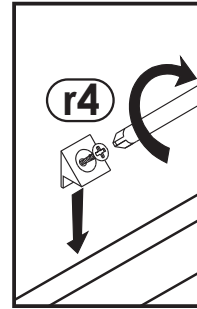
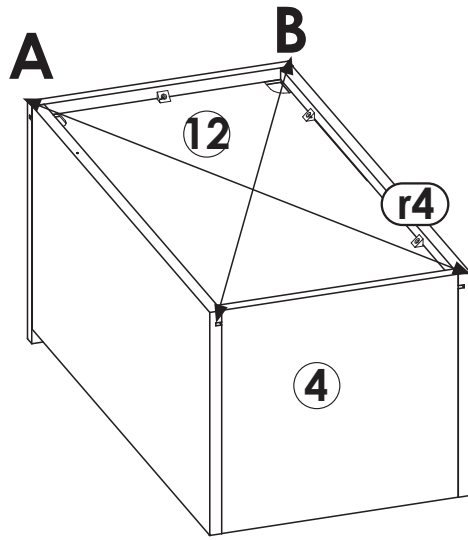
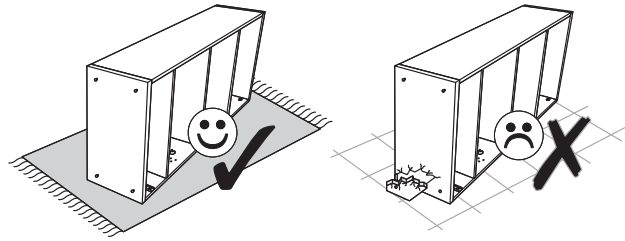
2



3

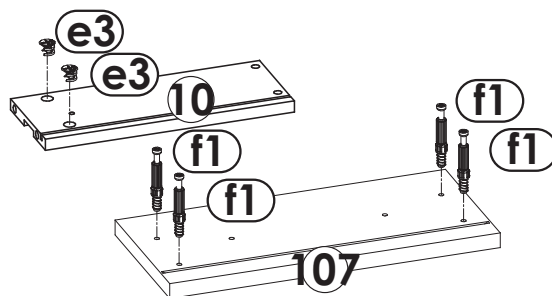
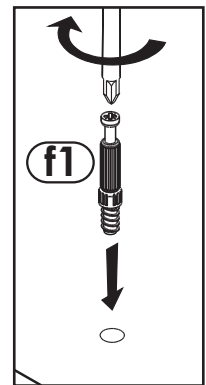
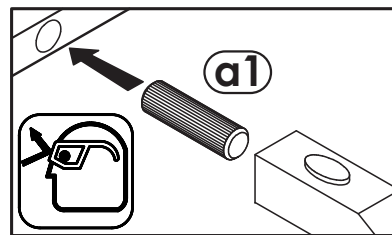
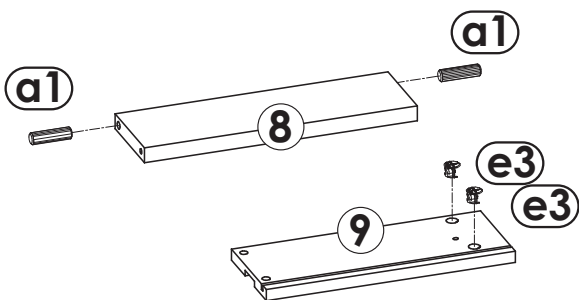
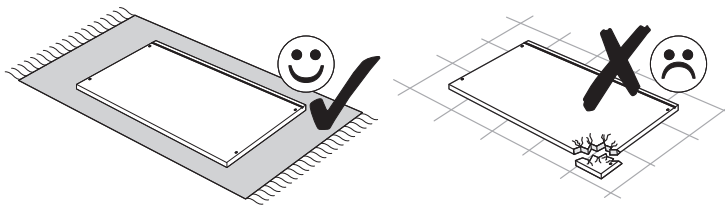


4
▼

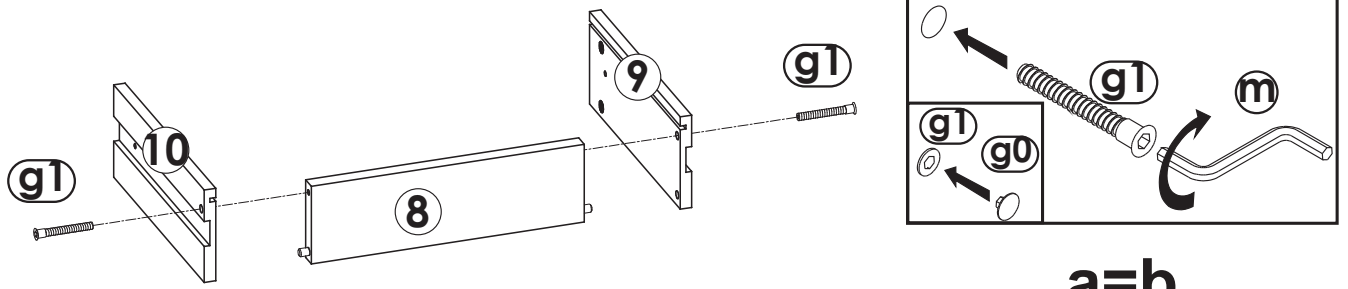


A=B

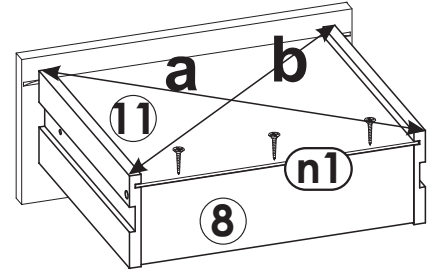
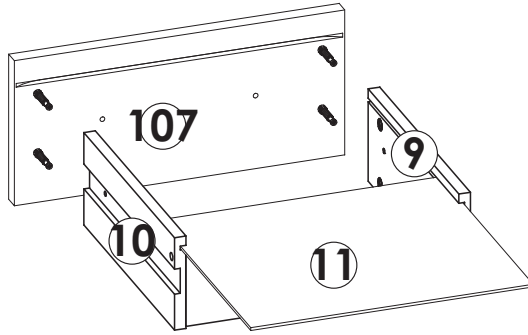
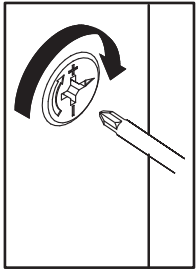
5
▼



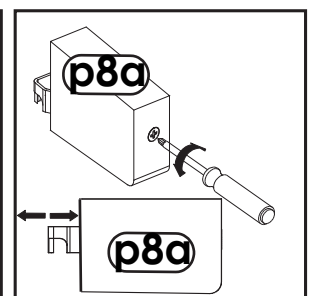
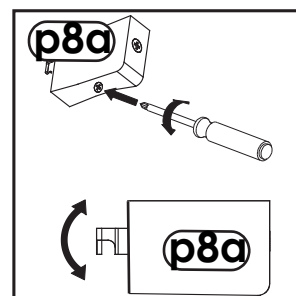
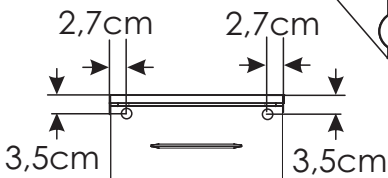
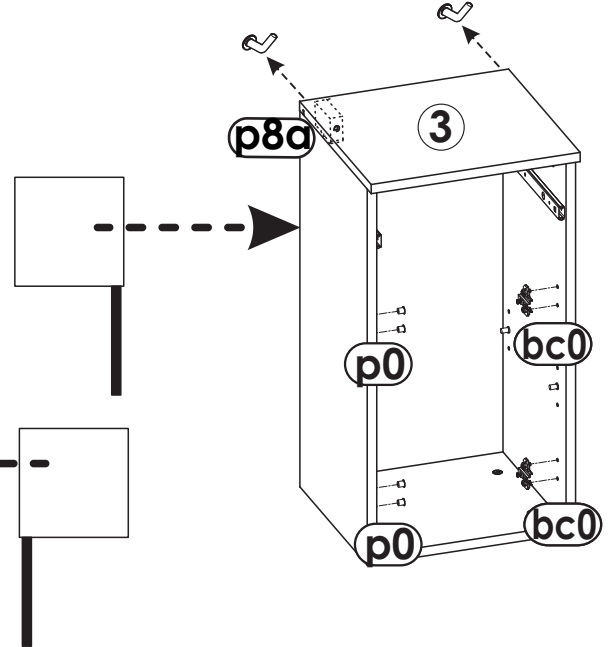
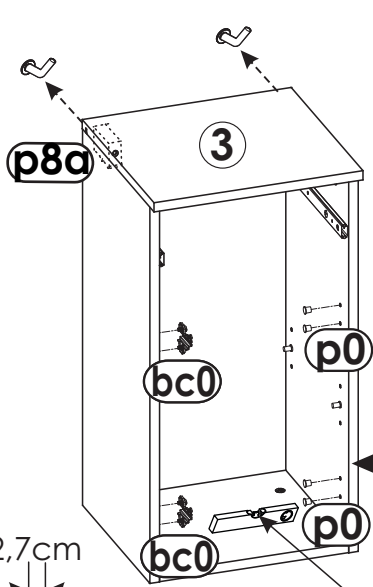
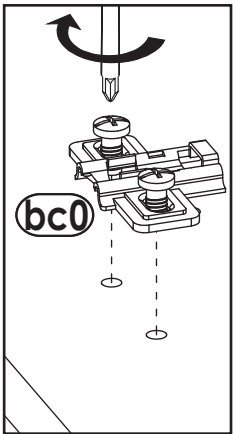
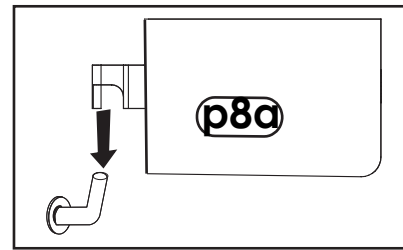
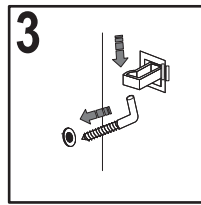
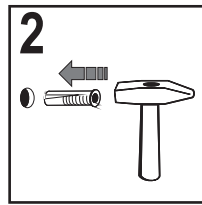
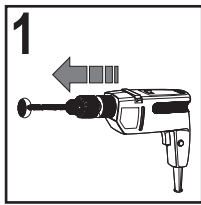
6



a=b



7



8
▼

